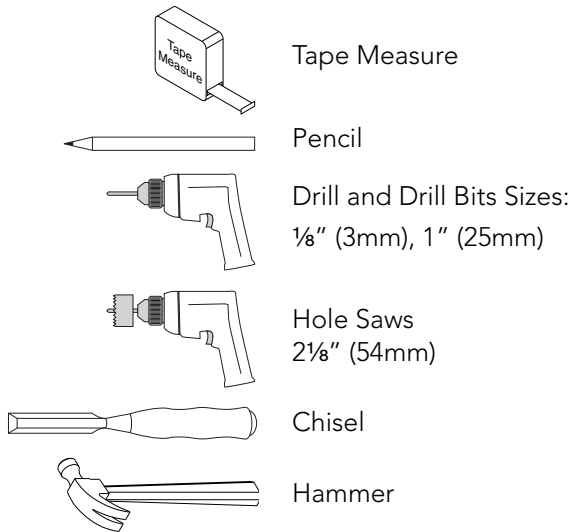


## Door Preparation Instructions for Door **with Existing Holes**

Schlage Encode™, SRE60120 and SRE60121

### Tools Needed

① **If you are uncomfortable performing these steps, call a locksmith for assistance.**

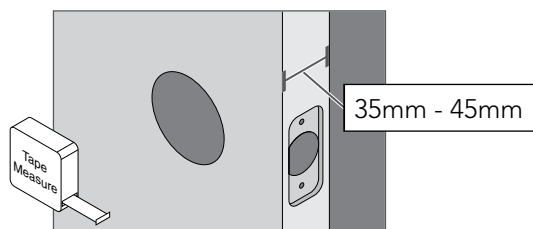


### 1 Measure door thickness.

If the door is thinner than 35mm or thicker than 45mm, then the lock will not fit properly on the door.

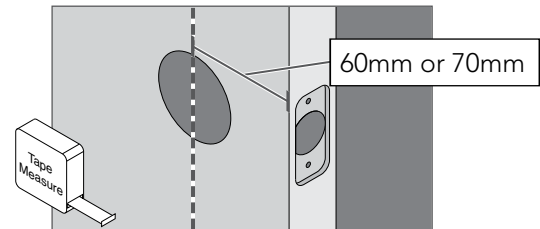
A thick door kit is used to fit the Schlage Encode to doors that are between 46mm and 64mm thick.

① **A thick door kit is available from Product Support at 0800 477 869**



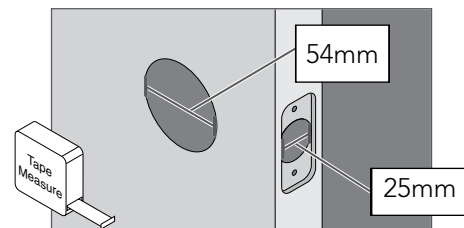
### 2 Measure the backset.

If existing backset is not 60mm or 70mm, then the lock will not fit properly on the door.

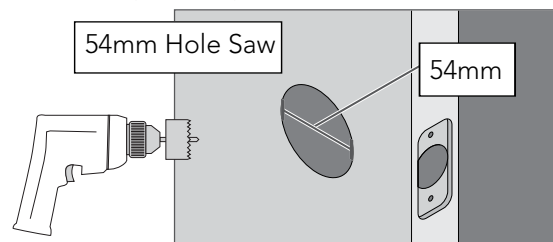


### 3 Measure the hole sizes.

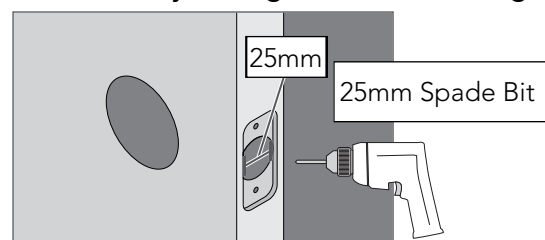
3a If hole sizes are larger than those shown, then the lock will not fit properly on the door. If hole sizes are smaller than those shown, see steps 3b and 3c.



3b If necessary, enlarge hole in door face.

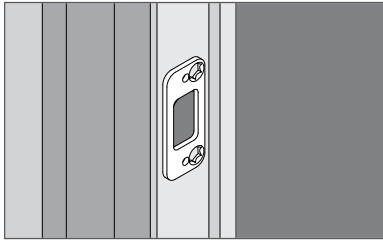


3c If necessary, enlarge hole in door edge.

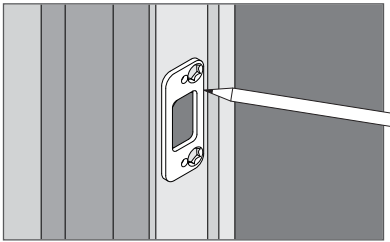


## 4 Check the door jamb.

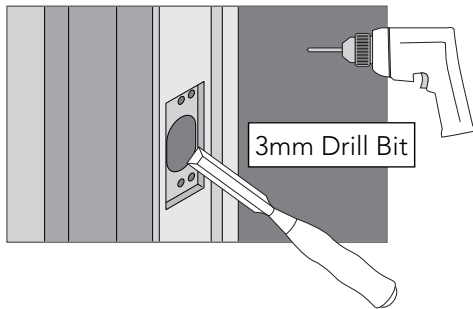
- 4a Place new strike and reinforcement plate against the door jamb. If these do not fit properly, see steps **4b** and **4c**.



- 4b If correction is necessary, trace faceplate and mark holes.



- 4c If necessary, use chisel, hammer and drill to correct door jamb preparation.



- 5 Please contact us for accessories if required.  
0800 477 869

Questions about your new  
Schlage **Encode**™ Smart Wi-Fi Deadbolt?

**Please don't return it to the store!**

Let us help you first!



[schlage.co.nz/encode](https://schlage.co.nz/encode)

Schlage New Zealand  
Customer Service:  
0800 477 869



© Allegion 2018  
Schlage Encode door prep with  
holes Rev. 10/19