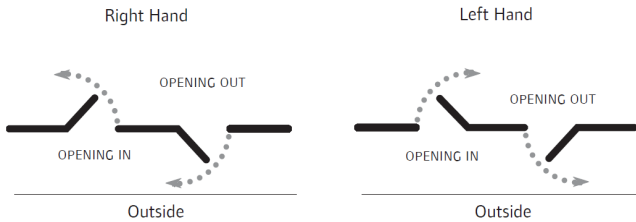


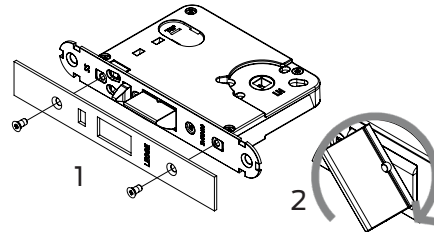


991MF Mortice Lock Installation Instructions

Handing Guide



To Reverse Bolt



1. Remove outer forend.
2. Pull and rotate bolt 180° clockwise.

991MF Handing/Function Adjustment

V Series handing adjustment (Inside handle free)

To set for left hand

Push in and turn clockwise.
Set adjuster as shown.

To set for right hand

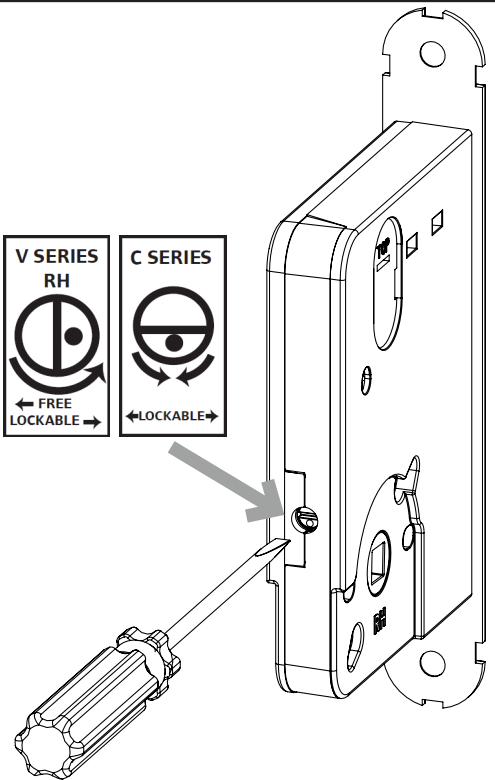
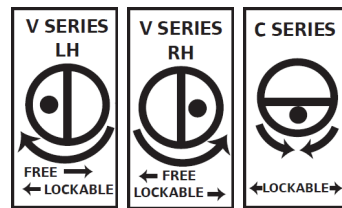
Push in and turn anti-clockwise.
Set adjuster as shown.

V9/V55

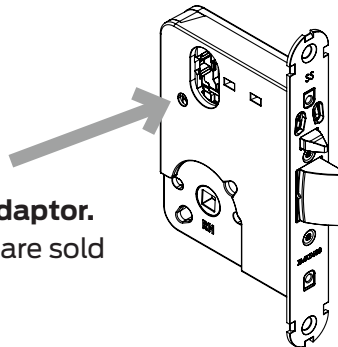
The Locking Bar must be down before installing.

To set for C Series (Both handles lockable)

Set adjuster as shown.



For anti-lockout function
Install anti-lockout screw and 9A adaptor.
(9A adaptor with anti-lockout screw are sold separately as a set)



Anti-lockout screw



9A Adaptor

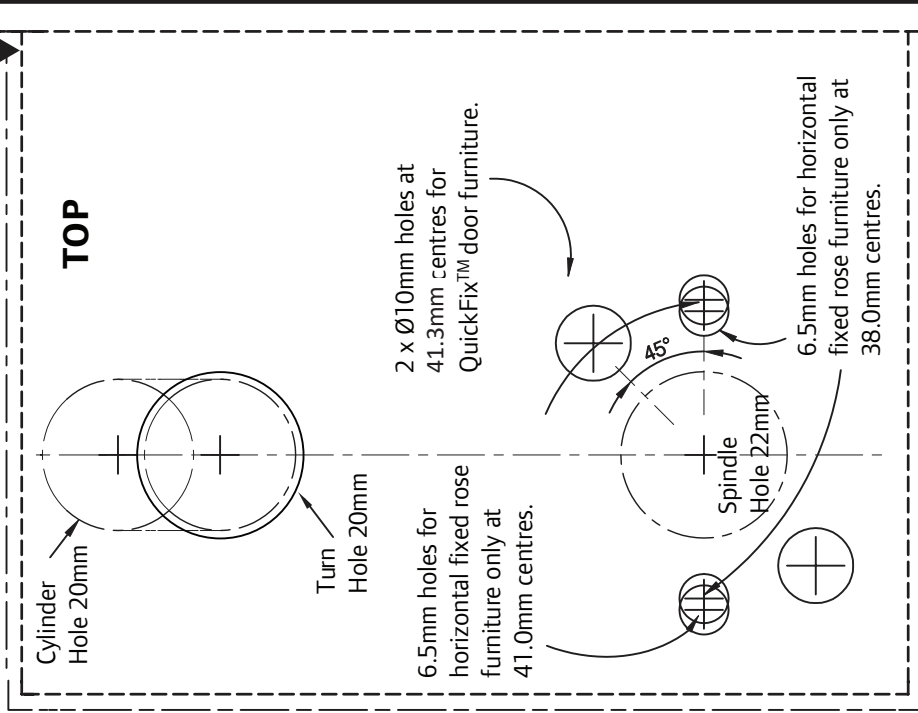


Allegion (Australia) Pty Ltd
Phone 1800 098 094
Website www.allegion.com.au

Allegion (New Zealand) Limited
Phone 0800 477 869
Website www.allegion.co.nz

Mortise Instructions

1. Cut mortise slot using template for correct size.
2. Fit lock into mortise, scribe around forend and remove wood to allow flush fit to door.
3. Remove lock and use template to mark and drill holes to suit lock and furniture being used.



CHECK CAREFULLY:
DO NOT DRILL HOLES RIGHT THROUGH DOOR. THE FURNITURE MAY NOT COVER ANY HOLES THAT ARE INCORRECTLY DRILLED.

